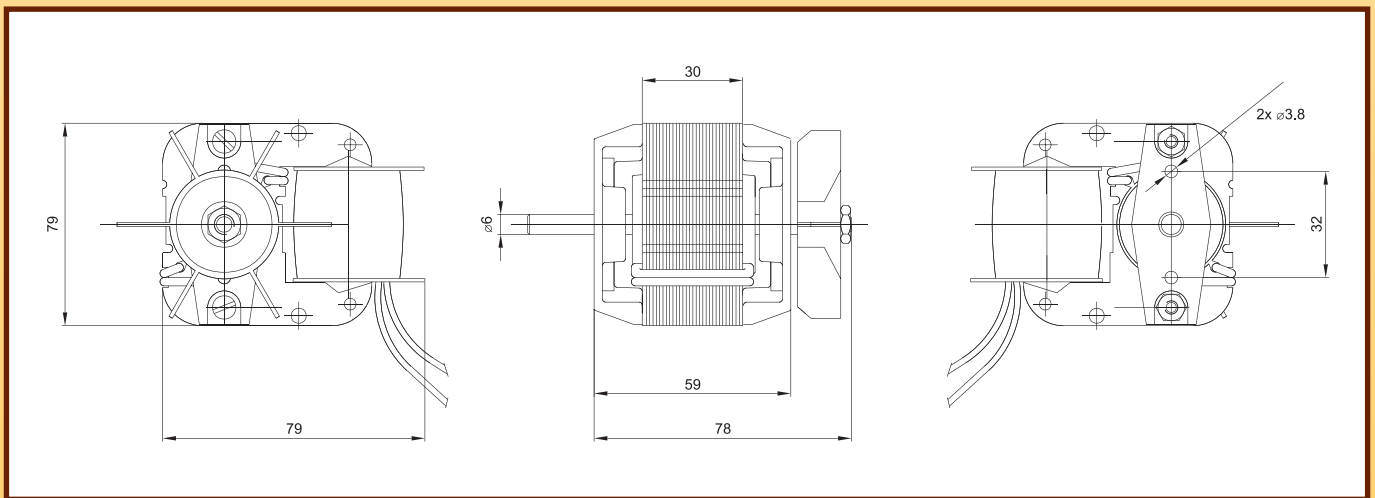


GSM31-0.6/3

for
massage equipment ...



Technical data

Voltage:	230 V
	50 Hz AC
Direction of rotation:	on demand
Watts:	60 W
Insulation class:	B / F
Insulation:	single
Bearing:	2 x ball bearing

Sample of application:



KOMUTEX – MOTORS

Nádražní 664, CZ 593 01 Bystřice nad Pernštejnem, tel.: +420 566 591 411, fax.: +420 566 591 412
e-mail: innel@innel.cz, komutex-motors@iol.cz